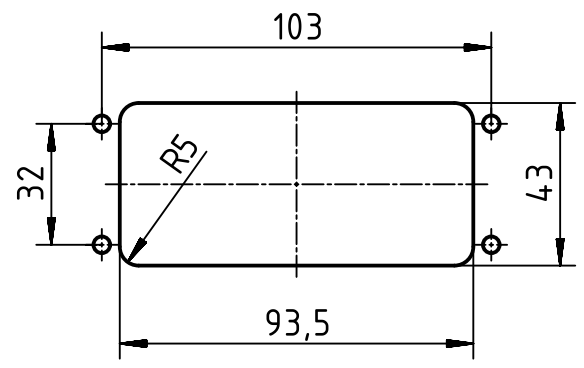
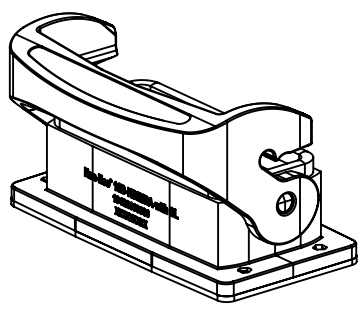
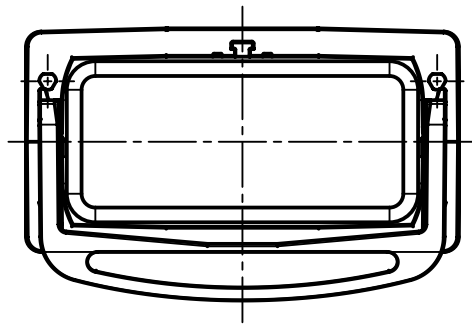



panel cut out  
for assembly from  
the inner side of cabinet



	All rights reserved		Scale 1:2	Free size tol.		Ref.	
	Department EL PD - DE		Created by ROEBEN	Inspected by SCHENK	Standardisation TIEMANNA	Date 2018-04-13	Sub.
HARTING Electric GmbH & Co. KG		Title Han-Eco 16B Outd-HBM/RA-with SL				State Final Release	
D-32339 Espelkamp		Type TB	Number 19 43 216 0330			Doc-Key / ECM-Nr. 100767905/UGD/001/A 500000132917	Page 1/1
						Rev. A	